

Model No :: **20670LEDDL-CH/OPL**
 Name :: **Aero**



Project Name :: _____
 Location :: _____
 Type :: _____
 Quantity :: _____
 Notes :: _____

Product Information	
Product ID ::	20670
UPC Code ::	641594220971
Mounting Type ::	Ceiling
Finish ::	Chrome (CH)
Diffuser ::	Opal (OPL)
Alt. Finishes ::	Brushed Steel (BS)
Alt. Diffusers ::	N/A

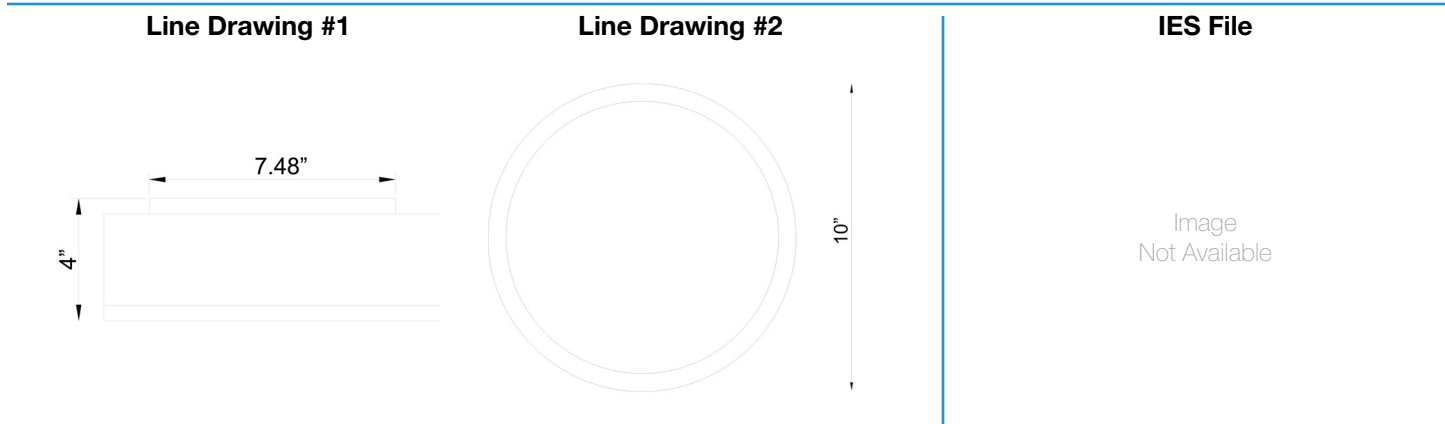
Product Dimensions			
Fixture		Canopy	
Length ::	N/A	Length ::	N/A
Width ::	N/A	Width ::	N/A
Diameter ::	10"	Diameter ::	N/A
Extension ::	N/A	Height ::	1"
Height ::	4"		
Overall Height ::	N/A Max.		



Technical Specifications

Qualifications	Specifications	Photometrics	Recommended Dimmers
Location Rating :: Damp	Frame Material :: Steel	CCT :: 3000	(ELV) LUTRON Skylark SELV-300P; (MLV) COOPER Aspire 9530SW; (TRIAC) LEGRAND Titan CD703-PW
Certification :: cULus	Diffuser Material :: Glass	CRI :: 93	
IES File :: No	Voltage :: 120v	Wattage :: 10 W	
JA8 Compliant :: Yes	Lamping Type :: Replacable LED	Nominal Lumens :: 800	
Title 20 Compliant :: Yes	Lamping Base :: E-26	Delivered Lumens :: N/A	
Energy Star :: No	Lamp Quantity :: 1		
ADA Compliant :: No	Lamp Wattage :: 10 W		
Marine Grade :: No	Total Wattage :: 10 W		
Emergency Lighting :: No	Lamps Included :: Yes		
Warranty :: 1 Year Limited	J-Box Type :: Standard		

Custom Options :: N/A; Additional Items :: N/A



Toll Free 800-828-5483 or www.AccessLighting.com

14410 Myford Road, Irvine, CA 92606
 The information provided is subject to change without notice. ©2018 Access Lighting Corporation. All Rights Reserved
 Rev. 201902 Filename:: 20670LEDDL-CH_OPL.pdf

