

Stock Code: **20055LEDDMG-BRZ**

Collection: Trilogy

### PRODUCT INFORMATION

Base: 20055 Parent: 20055LEDDMG  
Mounting Type: Wall UPC: 641594215205  
Finish: Bronze  
Diffuser: N/A

### PRODUCT MEASUREMENTS

FIXTURE	BACKPLATE / CANOPY
Length:	Length
Width: 7"	Width:
Diameter	Diameter:
Height: 12"	Height:
Extension: 3.75"	
Overall Height:	

### TECHNICAL SPECIFICATIONS

#### SPECIFICATIONS

Frame Material: Steel  
Diffuser Material: N/A  
Lamping Type: SSL (Dedicated LED) Jbox: Standard  
Lamping Base: SSL Lamp Wattage: 4 W  
Lamp Quantity: 3 Total Wattage: 12 W  
Voltage: 120-277v Lamps Included: Yes

#### QUALIFICATIONS

Location Rating Wet  
Certification: UL (US/Canada) Listed  
ADA Compliant No Energy Star: No  
JA8 Compliant: Outdoor Only Emergency Lighting: No  
Marine Grade: Yes Warranty: 5 Year

#### PHOTOMETRICS

Dimmable: Yes Nominal Lumens 1200 Lm  
CRI: 80 Delivered Lumens: N/A  
CCT: 3000K  
Recommended Dimmers:  
(TRIAC)LEVITON Surslide 6631; (TRIAC)LEVITON Sureslide  
6633-P; (TRIAC)LUTRON Skylark S-600 or S-600P;  
(TRIAC)LEVITON illumatech IPI06

Additional Notes:

Project Name: \_\_\_\_\_

Location: \_\_\_\_\_

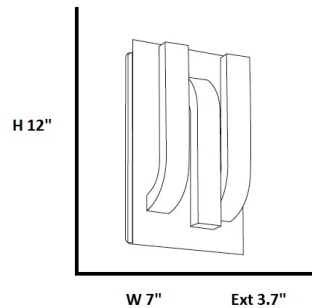
Type: \_\_\_\_\_

Quantity: \_\_\_\_\_

Notes: \_\_\_\_\_



LINE DRAWING



IES FILE

In addition to Access Lighting's purchase and warranty terms and conditions, by signing below or placing an order, you agree that you are authorized to bind the entity placing any order and acknowledge the following: All of sizes and measurements are approximate and all images are for illustrative purposes only. In the event of an inconsistency, the "Product Measurements" section controls. There also may be slight differences in the colors and designs compared to the displayed and printed images.

Signature: \_\_\_\_\_

Print Name \_\_\_\_\_ Date: \_\_\_\_\_

Toll Free 800-828-5483 [www.AccessLighting.com](http://www.AccessLighting.com)

14410 Myford Road, Irvine, CA 92606

The information is subject to change without notice. 10/25/2022 20055LEDDMG-BRZ.pdf

