

Stock Code: **23890LEDDL-PL-BL**

Collection: Wired

PRODUCT INFORMATION

Base: 23890 Parent: 23890LEDDL-PL
Mounting Type: Ceiling UPC: 641594223996
Finish: Black
Diffuser: N/A

PRODUCT MEASUREMENTS

FIXTURE	BACKPLATE / CANOPY
Length:	Length
Width:	Width:
Diameter 23.25"	Diameter: 5.25"
Height: 9"	Height:
Extension:	
Overall Height: 11-129"	

TECHNICAL SPECIFICATIONS

SPECIFICATIONS

Frame Material: Metal	
Diffuser Material: N/A	
Lamping Type: E-26 (Replaceable LED Jbox: Standard	
Lamping Base: E-26	Lamp Wattage: 7 W
Lamp Quantity: 1	Total Wattage: 7 W
Voltage: 120v	Lamps Included: Yes

QUALIFICATIONS

Location Rating Dry	
Certification: UL (US/Canada) Listed	
ADA Compliant: No	Energy Star: No
JA8 Compliant: No	Emergency Lighting: No
Marine Grade: No	Warranty: 1 Year

PHOTOMETRICS

Dimmable: Yes	Nominal Lumens 800 Lm
CRI: 82	Delivered Lumens: 800 Lm
CCT: 2700K	
Recommended Dimmers:	
(TRIAC)LEVITON Decora Sureslide 6672; (TRIAC)LEVITON Decora Sureslide 6674; (TRIAC)LEVITON Sureslide 6633-P; (TRIAC)LEVITON Trimatron 6684; (ELV)LUTRON Maestro CL MACL-153M	

Additional Notes:

10 feet of aircraft cable and cord included; Custom Finish 5 Piece
Minimum Order Quantity

Project Name: _____

Location: _____

Type: _____

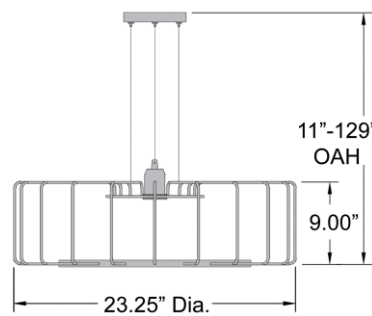
Quantity: _____

Notes: _____



LINE DRAWING

IES FILE



In addition to Access Lighting's purchase and warranty terms and conditions, by signing below or placing an order, you agree that you are authorized to bind the entity placing any order and acknowledge the following: All of sizes and measurements are approximate and all images are for illustrative purposes only. In the event of an inconsistency, the "Product Measurements" section controls. There also may be slight differences in the colors and designs compared to the displayed and printed images.

Signature: _____

Print Name _____ Date: _____

Toll Free 800-828-5483 www.AccessLighting.com

14410 Myford Road, Irvine, CA 92606

