

Stock Code: **52220-BRZ**

Collection: **Mirage**

PRODUCT INFORMATION

Base: 52220 Parent: 52220
Mounting Type: Ceiling UPC: 641594016765
Finish: Bronze
Diffuser: N/A

PRODUCT MEASUREMENTS

FIXTURE	BACKPLATE / CANOPY
Length:	Length:
Width:	Width:
Diameter 6"	Diameter: 6"
Height: 5.75"	Height: 1.25"
Extension:	
Overall Height:	

TECHNICAL SPECIFICATIONS

SPECIFICATIONS

Frame Material: Metal
Diffuser Material: N/A
Lamping Type: GU-10 (Halogen) Jbox: Standard
Lamping Base: GU-10 Lamp Wattage: 50 W
Lamp Quantity: 1 Total Wattage: 50 W
Voltage: 120v Lamps Included: No

QUALIFICATIONS

Location Rating Dry
Certification: ETL (US/Canada) Listed
ADA Compliant: No Energy Star: No
JA8 Compliant: No Emergency Lighting: No
Marine Grade Finish: No
Warranty: 1 Year

PHOTOMETRICS

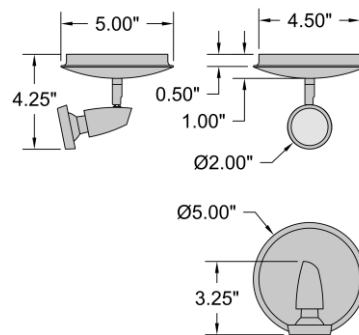
Dimmable: Yes Nominal Lumens: N/A
CRI: N/A Delivered Lumens: N/A
CCT: N/A
Recommended Dimmers:
(TRIAC)Any Standard Dimmer

ADDITIONAL NOTES

Project Name: _____
Location: _____
Type: _____
Quantity: _____
Notes: _____



LINE DRAWING



IES FILE

In addition to Access Lighting's purchase and warranty terms and conditions, by signing below or placing an order, you agree that you are authorized to bind the entity placing any order and acknowledge the following: All of sizes and measurements are approximate and all images are for illustrative purposes only. In the event of an inconsistency, the "Product Measurements" section controls. There also may be slight differences in the colors and designs compared to the displayed and printed images.

Signature: _____

Print Name: _____ Date: _____

Toll Free 800-828-5483 www.AccessLighting.com

14410 Myford Road, Irvine, CA 92606

The information is subject to change without notice. 4/21/2023 52220-BRZ.pdf

