

Model No :: **62542LEDD-BG/OPL**  
 Name :: Madison



Project Name :: \_\_\_\_\_  
 Location :: \_\_\_\_\_  
 Type :: \_\_\_\_\_  
 Quantity :: \_\_\_\_\_  
 Notes :: \_\_\_\_\_

**Product Information**

Product ID :: 62542  
 UPC Code :: 641594234930  
 Mounting Type :: Wall  
 Finish :: Brushed Gold (BG)  
 Diffuser :: Opal (OPL)  
 Alt. Finishes :: Brushed Gold (BG); Chrome (CH)  
 Alt. Diffusers :: Opal (OPL)

**Product Dimensions**

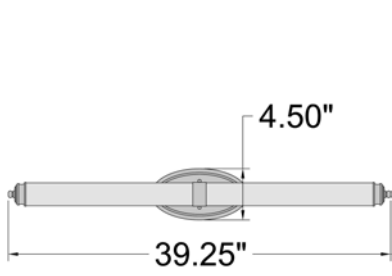
Fixture	Canopy
Length :: N/A	Length :: N/A
Width :: 39.25"	Width :: N/A
Diameter :: N/A	Diameter :: 4.5"
Extension :: 3.25"	Height :: N/A
Height :: 4.5"	
Overall Height :: N/A	



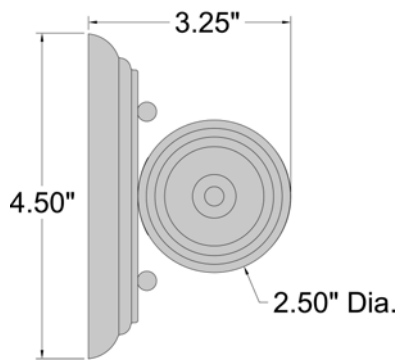
**Technical Specifications**

Qualifications	Specifications	Photometrics	Recommended Dimmers
Location Rating :: Damp	Frame Material :: Steel	CCT :: 3000	0
Certification :: ETL Listed (US/Canada)	Diffuser Material :: Glass	CRI :: 90	
IES File ::	Voltage :: 120v	Wattage :: 32w	
JA8 Compliant :: Yes	Lamping Type :: Dedicated LED	Nominal Lumens :: 2560Lm	
Energy Star :: No	Lamping Base :: SSL	Delivered Lumens :: 2226Lm	
ADA Compliant :: Yes	Lamp Quantity :: 1	Additional Items :: 0	
Marine Grade :: No	Lamp Wattage :: 32 W		
Emergency Lighting :: No	Total Wattage :: 32w		
Warranty :: 5 Year Limited	Lamps Included :: Yes		
	J-Box Type :: Standard		

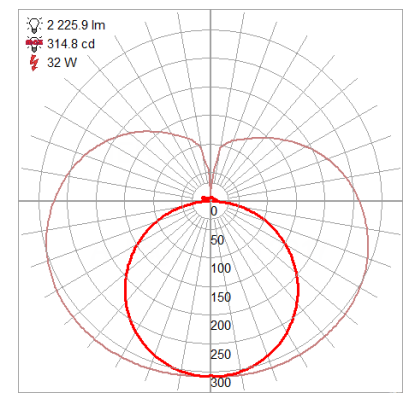
**Line Drawing #1**



**Line Drawing #2**



**IES File**



**Toll Free 800-828-5483 • www.AccessLighting.com**

14410 Myford Road, Irvine, CA 92606

The information provided is subject to change without notice. ©2020 Access Lighting Corporation. All Rights Reserved  
 Rev. 202004 Filename:: 62542LEDD-BG\_OPL.pdf

