

Stock Code: **50940LEDD-BRK/ACR**

Collection: Radiant

PRODUCT INFORMATION

Base: 50940 Parent: 50940LEDD
Mounting Type: Ceiling UPC: 641594219487
Finish: Brick
Diffuser: Acrylic Lens

PRODUCT MEASUREMENTS

FIXTURE	BACKPLATE / CANOPY
Length:	Length
Width:	Width:
Diameter 17.75"	Diameter: 9"
Height: 4.25"	Height: 2.5"
Extension:	
Overall Height: 6-126"	

TECHNICAL SPECIFICATIONS

SPECIFICATIONS

Frame Material: Aluminum
Diffuser Material: Acrylic
Lamping Type: SSL (Dedicated LED) Jbox: Standard
Lamping Base: SSL Lamp Wattage: 30 W
Lamp Quantity: 1 Total Wattage: 30 W
Voltage: 120-277v Lamps Included: Yes

QUALIFICATIONS

Location Rating Dry
Certification: UL (US/Canada) Listed
ADA Compliant No Energy Star: No
JA8 Compliant: No Emergency Lighting: No
Marine Grade: No Warranty: 5 Year

PHOTOMETRICS

Dimmable: Yes Nominal Lumens 2000 Lm
CRI: 81 Delivered Lumens: 1585 Lm
CCT: 3000K
Recommended Dimmers:
(ELV)LUTRON Diva DVELV-303P; (ELV)LUTRON Skylark SELV-300P; (ELV)LUTRON Diva DVELV-300P; (TRIAC)LUTRON Diva DV-600P

Additional Notes:
10 feet of aircraft cable

Project Name: _____

Location: _____

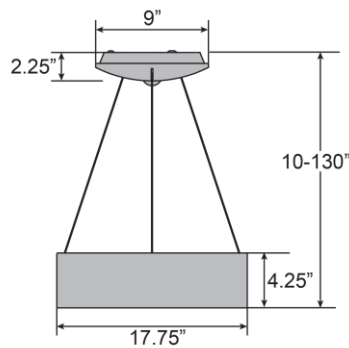
Type: _____

Quantity: _____

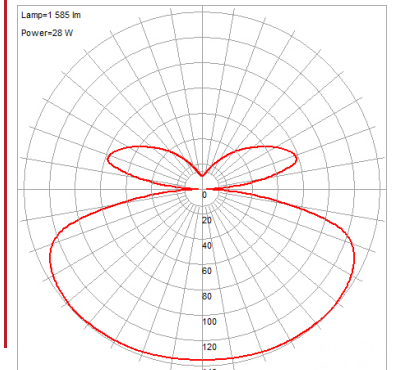
Notes: _____



LINE DRAWING



IES FILE



In addition to Access Lighting's purchase and warranty terms and conditions, by signing below or placing an order, you agree that you are authorized to bind the entity placing any order and acknowledge the following: All of sizes and measurements are approximate and all images are for illustrative purposes only. In the event of an inconsistency, the "Product Measurements" section controls. There also may be slight differences in the colors and designs compared to the displayed and printed images.

Signature: _____

Print Name _____ Date: _____

Toll Free 800-828-5483 www.AccessLighting.com

14410 Myford Road, Irvine, CA 92606

