

Stock Code: **20419LEDDL P-BS/OPL**

Collection: Elementary

### PRODUCT INFORMATION

Base: 20419 Parent: 20419LEDDL P  
Mounting Type: Wall UPC: 641594210279  
Finish: Brushed Steel  
Diffuser: Opal

### PRODUCT MEASUREMENTS

FIXTURE	BACKPLATE / CANOPY
Length:	Length
Width: 7.25"	Width:
Diameter	Diameter:
Height: 9"	Height:
Extension: 4"	
Overall Height:	

### TECHNICAL SPECIFICATIONS

#### SPECIFICATIONS

Frame Material: Metal  
Diffuser Material: Glass  
Lamping Type: E-26 (Replaceable LED Jbox: Standard  
Lamping Base: E-26 Lamp Wattage: 10 W  
Lamp Quantity: 1 Total Wattage: 10 W  
Voltage: 120v Lamps Included: Yes

#### QUALIFICATIONS

Location Rating Damp  
Certification: UL (US/Canada) Listed  
ADA Compliant: Yes Energy Star: No  
JA8 Compliant: Yes Emergency Lighting: No  
Marine Grade: No Warranty: 1 Year

#### PHOTOMETRICS

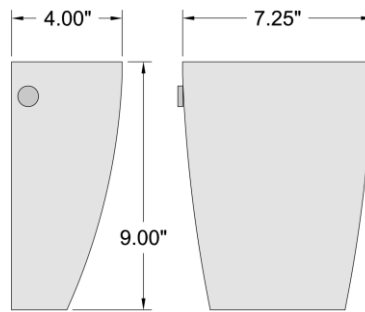
Dimmable: Yes Nominal Lumens 800 Lm  
CRI: 90 Delivered Lumens: N/A  
CCT: 3000K  
Recommended Dimmers:  
(TRIAC)LEGRAND Titan CD703-PW; (ELV)LUTRON Skylark  
SELV-300P; (MLV)COOPER Aspire 9530SW

Additional Notes:

Project Name: \_\_\_\_\_  
Location: \_\_\_\_\_  
Type: \_\_\_\_\_  
Quantity: \_\_\_\_\_  
Notes: \_\_\_\_\_



#### LINE DRAWING



#### IES FILE

In addition to Access Lighting's purchase and warranty terms and conditions, by signing below or placing an order, you agree that you are authorized to bind the entity placing any order and acknowledge the following: All of sizes and measurements are approximate and all images are for illustrative purposes only. In the event of an inconsistency, the "Product Measurements" section controls. There also may be slight differences in the colors and designs compared to the displayed and printed images.

Signature: \_\_\_\_\_

Print Name \_\_\_\_\_ Date: \_\_\_\_\_

Toll Free 800-828-5483 [www.AccessLighting.com](http://www.AccessLighting.com)

14410 Myford Road, Irvine, CA 92606

The information is subject to change without notice. 9/23/2022 20419LEDDL P-BS\_OPL.pdf

