

Stock Code: **72016LEDD-ABB**

Collection: Lizbo

### PRODUCT INFORMATION

Base: 72016 Parent: 72016LEDD  
Mounting Type: Ceiling UPC: 641594249279  
Finish: Antique Brushed Brass  
Diffuser: N/A

### PRODUCT MEASUREMENTS

FIXTURE**	BACKPLATE / CANOPY**
Length:	Length:
Width: 4.75"	Width:
Diameter	Diameter: 4.75"
Height: 15.75"	Height:
Extension: 13"	
Overall Height:	

### TECHNICAL SPECIFICATIONS

#### SPECIFICATIONS

Frame Material: Steel  
Diffuser Material: Steel  
Lamping Type: SSL (Dedicated LED) Jbox: Standard  
Lamping Base: SSL Lamp Wattage: 10 W  
Lamp Quantity: 1 Total Wattage: 10 W  
Voltage: 120v Lamps Included: Yes

#### QUALIFICATIONS

Location Rating Dry  
Certification: UL (US/Canada) Listed  
ADA Compliant: No Energy Star: No  
JA8 Compliant: No Emergency Lighting: No  
Marine Grade Finish: No  
Warranty\*\*: 5 Year

#### PHOTOMETRICS

Dimmable: Yes Nominal Lumens: 900 Lm  
CRI: 90 Delivered Lumens: N/A  
CCT: 3000K  
Recommended Dimmers:  
(ELV)LUTRON Maestro MAELV-600; (ELV)LEVITON Decora  
DSE06-10Z; (TRIAC)LUTRON Diva DVCL-153P;  
(TRIAC)LUTRON Skylark CL SCL-153 or SCL-153P;  
(TRIAC)LEVITON Decora Sureslide 6674

#### ADDITIONAL NOTES

Can be hardwired or used with included pin-up kit

Project Name: \_\_\_\_\_

Location: \_\_\_\_\_

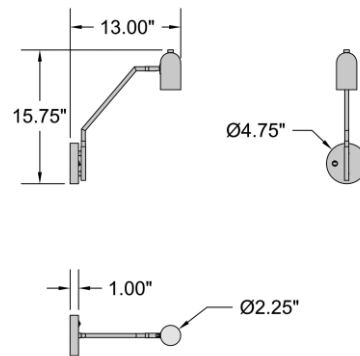
Type: \_\_\_\_\_

Quantity: \_\_\_\_\_

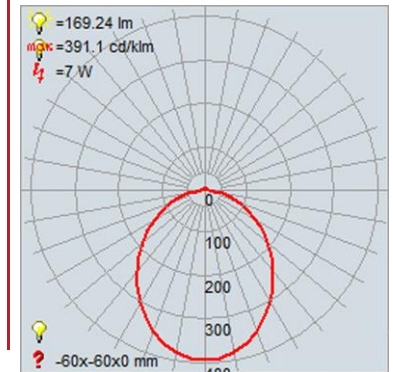
Notes: \_\_\_\_\_



#### LINE DRAWING



#### IES FILE



In addition to Access Lighting's purchase and warranty terms and conditions, by signing below or placing an order, you agree that you are authorized to bind the entity placing any order and acknowledge the following: All of sizes and measurements are approximate and all images are for illustrative purposes only. In the event of an inconsistency, the "Product Measurements" section controls. There also may be slight differences in the colors and designs compared to the displayed and printed images.

Signature: \_\_\_\_\_

Print Name: \_\_\_\_\_ Date: \_\_\_\_\_

Toll Free 800-828-5483 [www.AccessLighting.com](http://www.AccessLighting.com)

14410 Myford Road, Irvine, CA 92606



\*\* NOTE: All measurements are rounded up to the 1/4 inch. There is no warranty on any replaceable bulbs, even if included with the fixture.

Copyright Access Lighting Corp. All information is subject to change without notice.

7/27/2023

72016LEDD-ABB.pdf