

Stock Code: **72005LEDD-BRZ**

Collection: TaskWerx

PRODUCT INFORMATION

Base: 72005 Parent: 72005LEDD
Mounting Type: Portable UPC: 641594207392
Finish: Bronze
Diffuser: N/A

PRODUCT MEASUREMENTS

FIXTURE	BACKPLATE / CANOPY
Length: 26"	Length 7.5"
Width: 7"	Width: 7.5"
Diameter	Diameter:
Height: 14"	Height: 1.5"
Extension:	
Overall Height:	

TECHNICAL SPECIFICATIONS

SPECIFICATIONS

Frame Material: Aluminum	
Diffuser Material: Acrylic	
Lamping Type: SSL (Dedicated LED)	Jbox: N/A
Lamping Base: SSL	Lamp Wattage: 6.3 W
Lamp Quantity: 1	Total Wattage: 6.3 W
Voltage: 100-240v	Lamps Included: Yes

QUALIFICATIONS

Location Rating Dry	
Certification: UL (US/Canada) Listed	
ADA Compliant No	Energy Star: No
JA8 Compliant: No	Emergency Lighting: No
Marine Grade: No	Warranty: 5 Year

PHOTOMETRICS

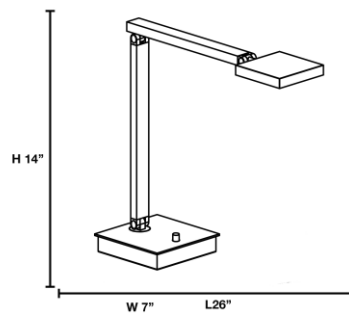
Dimmable: Yes	Nominal Lumens 600 Lm
CRI: 83	Delivered Lumens: 440 Lm
CCT: 3000K	
Recommended Dimmers:	

Additional Notes:

Project Name: _____
 Location: _____
 Type: _____
 Quantity: _____
 Notes: _____



LINE DRAWING



IES FILE

In addition to Access Lighting's purchase and warranty terms and conditions, by signing below or placing an order, you agree that you are authorized to bind the entity placing any order and acknowledge the following: All of sizes and measurements are approximate and all images are for illustrative purposes only. In the event of an inconsistency, the "Product Measurements" section controls. There also may be slight differences in the colors and designs compared to the displayed and printed images.

Signature: _____

Print Name _____ Date: _____

Toll Free 800-828-5483 www.AccessLighting.com

14410 Myford Road, Irvine, CA 92606

