

Stock Code: **20055LEDDMG-SAT**

Collection: Trilogy

PRODUCT INFORMATION

Base: 20055 Parent: 20055LEDDMG
Mounting Type: Wall UPC: 641594215168
Finish: Satin
Diffuser: N/A

PRODUCT MEASUREMENTS

FIXTURE	BACKPLATE / CANOPY
Length:	Length
Width: 7"	Width:
Diameter	Diameter:
Height: 12"	Height:
Extension: 3.75"	
Overall Height:	

TECHNICAL SPECIFICATIONS

SPECIFICATIONS

Frame Material: Steel
Diffuser Material: N/A
Lamping Type: SSL (Dedicated LED) Jbox: Standard
Lamping Base: SSL Lamp Wattage: 4 W
Lamp Quantity: 3 Total Wattage: 12 W
Voltage: 120-277v Lamps Included: Yes

QUALIFICATIONS

Location Rating: Wet
Certification: UL (US/Canada) Listed
ADA Compliant: No Energy Star: No
JA8 Compliant: Outdoor Only Emergency Lighting: No
Marine Grade: Yes Warranty: 5 Year

PHOTOMETRICS

Dimmable: Yes Nominal Lumens: 1200 Lm
CRI: 80 Delivered Lumens: N/A
CCT: 3000K
Recommended Dimmers:
(TRIAC)LUTRON Skylark S-600 or S-600P; (TRIAC)LEVITON
Sureslide 6633-P; (TRIAC)LEVITON illumatech IPI06;
(TRIAC)LEVITON Surslide 6631

Additional Notes:

Project Name: _____

Location: _____

Type: _____

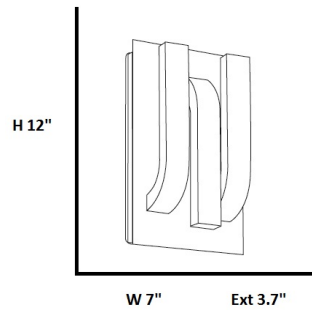
Quantity: _____

Notes: _____



LINE DRAWING

IES FILE



In addition to Access Lighting's purchase and warranty terms and conditions, by signing below or placing an order, you agree that you are authorized to bind the entity placing any order and acknowledge the following: All of sizes and measurements are approximate and all images are for illustrative purposes only. In the event of an inconsistency, the "Product Measurements" section controls. There also may be slight differences in the colors and designs compared to the displayed and printed images.

Signature: _____

Print Name _____ Date: _____

Toll Free 800-828-5483 www.AccessLighting.com

14410 Myford Road, Irvine, CA 92606

The information is subject to change without notice. 10/25/2022 20055LEDDMG-SAT.pdf

